

Series 250

Stainless Steel Pressure Transducer



Features & Applications

- Constructed of one piece, solid stainless steel
- No welds, o-rings or silicone oil to leak and cause system problems
- Perfect for applications such as chillers, boilers, refrigerant systems, pumps and compressors
- Able to handle any media compatible with 17-4Ph stainless steel
- Available with amplified output of 4-20mA
- Extremely compact design which allows for mounting in even the smallest locations

Specifications

Accuracy*:	<+/-1% FSO
Stability:	+/- 0.25% FSO/yr typical
Thermal Effects:	+/- 2% of FSO
Overpressure:	2X range
Pressure Range:	0/100PSI, 250PSI, 500PSI, 1000PSI, 2500PSI, 5000PSI, 10000PSI
Media:	Any media, wet or dry, compatible with 17-4 Ph stainless steel
Operating Humidity:	90% RH non-condensing
Operating Temp:	-20° to 85°C
Input Supply:	10-30 VDC
Load Resistance:	1.1KΩ on 4-20mA output
Output Signal:	4-20mA two wire
Electrical Connections:	24" 2-wire (4-20mA output)
Pressure Connections:	1/4" NPT
Enclosure:	One piece 17-4 Ph solid stainless steel
Dimensions:	Approx. 2.2"L x 7/8" Hex (54.8mmL x 21.4mm Hex)

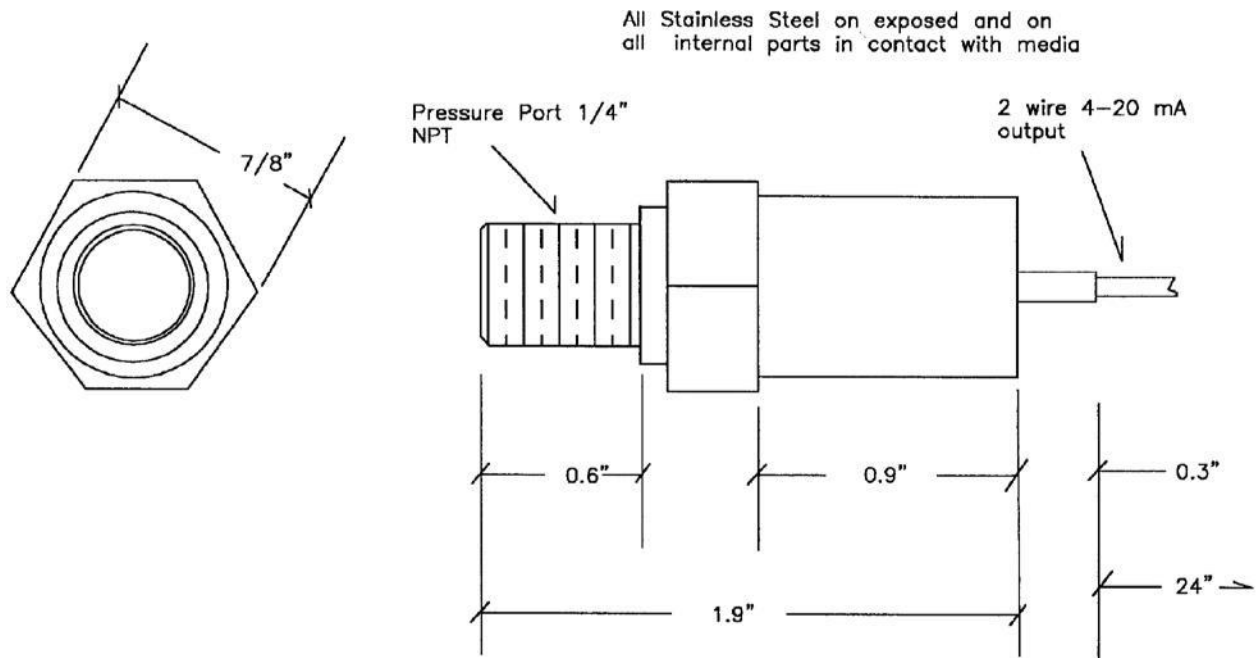
* Includes non-linearity hysteresis and non-repeatability at a fixed temperature

Note: AutoTran Inc reserves the right to make changes at any time to any products herein. AutoTran Inc does not assume any liability arising out of the application or use of any product described herein, neither does it convey any license under its patent rights nor the rights of others.



121 Water Street • Mineral Point, WI • 53565
1-608-987-4500
www.autotraninc.com

Physical Drawing



How to Order

A typical order number consists of the **model number**, **pressure range**, **pressure unit**, **output** and **mounting connection**.

<u>Model</u>	<u>Pressure Range</u>	<u>Pressure Unit</u>	<u>Output</u>	<u>Mounting Connection</u>
250	100PSI 250PSI 500PSI 1,000PSI** 2,500PSI** 5,000PSI** 10,000PSI**	P = PSI	4 = 4-20 mA* (two wire)	N = 1/4" NPT

Example: 250G 500P 4 N (Model 250G, 500 PSI pressure range, 4-20mA output, 1/4" NPT mounting connection)

* *The 4-20mA output is easily converted to 1-5 VDC utilizing a 250Ω resistor which we will provide upon request.*



121 Water Street • Mineral Point, WI • 53565
1-608-987-4500
www.autotraninc.com