



BEC CONTROLS CORP.

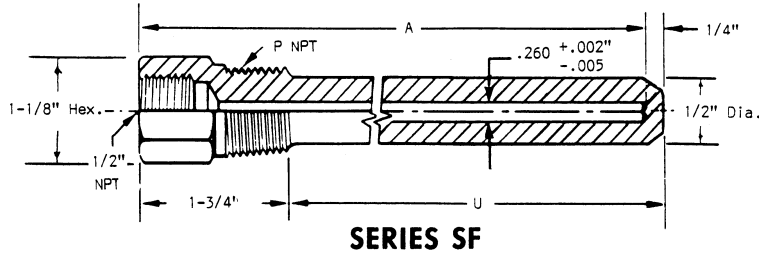
51286-15

January 1991

Thermowells

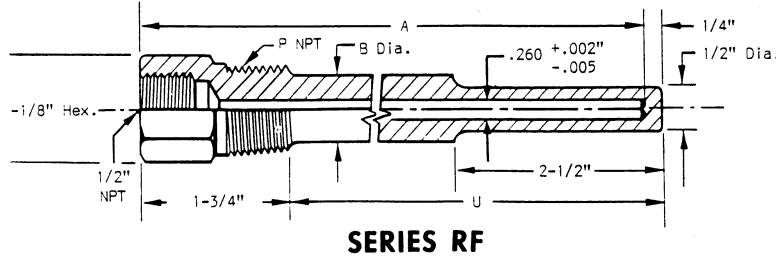
SERIES SF & RF

APPLICATION: THREADED WELLS FOR .252" MAX. DIA. PROBES AND SENSING ELEMENTS.



A	U	P	PART NUMBER
2.5	1.0	1/2 3/4	SF4M4 - 2.5 - * SF4M6 - 2.5 - *
4.0	2.5	1/2 3/4	SF4M4 - 4 - * SF4M6 - 4 - *
6.0	4.5	1/2 3/4	SF4M4 - 6 - * SF4M6 - 6 - *
9.0	7.5	1/2 3/4	SF4M4 - 9 - * SF4M6 - 9 - *
12.0	10.5	1/2 3/4	SF4M4 -12 - * SF4M6 -12 - *
15.0	13.5	1/2 3/4	SF4M4 -15 - * SF4M6 -15 - *
18.0	16.5	1/2 3/4	SF4M4 -18 - * SF4M6 -18 - *
24.0	22.5	1/2 3/4	SF4M4 -24 - * SF4M6 -24 - *

(Other Dimensions available on request)



A	U	P	B	PART NUMBER
2.5	1.0	1/2 3/4	.62 .75	RF4M4 - 2.5 - 5 - * RF4M6 - 2.5 - 6 - *
4.0	2.5	1/2 3/4	.62 .75	RF4M4 - 4 - 5 - * RF4M6 - 4 - 6 - *
6.0	4.5	1/2 3/4	.62 .75	RF4M4 - 6 - 5 - * RF4M6 - 6 - 6 - *
9.0	7.5	1/2 3/4	.62 .75	RF4M4 - 9 - 5 - * RF4M6 - 9 - 6 - *
12.0	10.5	1/2 3/4	.62 .75	RF4M4 -12 - 5 - * RF4M6 -12 - 6 - *
15.0	13.5	1/2 3/4	.62 .75	RF4M4 -15 - 5 - * RF4M6 -15 - 6 - *
18.0	16.5	1/2 3/4	.62 .75	RF4M4 -18 - 5 - * RF4M6 -18 - 6 - *
24.0	22.5	1/2 3/4	.62 .75	RF4M4 -24 - 5 - * RF4M6 -24 - 6 - *

(Other Dimensions available on requests.

Pressure - Temperature Rating, PSI

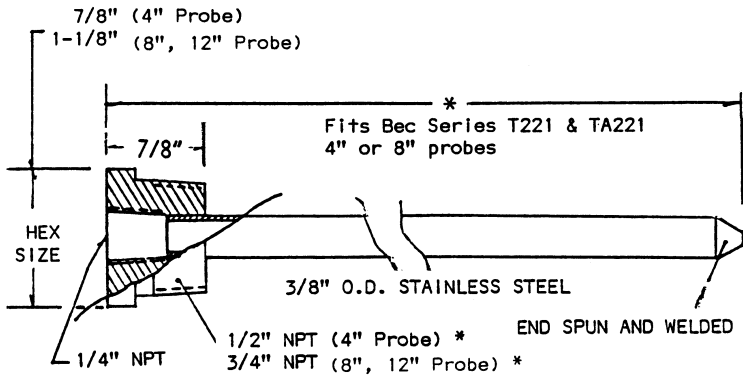
Material	Temperature — °F						
	70°	200°	400°	600°	800°	1000°	1200°
Brass	5000	4200	1000	—	—	—	—
Carbon Steel	5200	5000	4800	4600	3500	1500	—
A.I.S.I. - 304	7000	6200	5600	5400	5200	4500	1650
A.I.S.I. - 316	7000	7000	6400	6200	6100	5100	2500
Monel	6500	6000	5400	5300	5200	1500	—

MATERIAL CODE	
B	Brass
C	304 S.S
D	316 S.S




BEC CONTROLS CORP.
WWW.BECCONTROLS.COM

FOR USE WITH BEC SERIES T221 & TA221 TEMPERATURE TRANSMITTERS
T225 TEMPERATURE SENSORS



Temperature Rating 750°F
Pressure Rating 1000 PSI

PART NUMBER:
For 4" Probe: TW-20-S- 4
8" " TW-20-S- 8
12" " TW-20-S-12

STAINLESS STEEL										
QTY.	TITLE				PART NO.	NO.	MATERIAL	NOTE		
TOLERANCES		ANGLES		MANUFACTURER'S FEDERAL SUPPLY CODE NUMBER		MATERIAL		THIS DRAWING CONVEYS A PROPRIETARY ITEM AND IS A PROPERTY OF BEC CONTROLS. THIS DRAWING IS NOT TO BE COPIED OR USED WITHOUT THE APPROVAL OF BEC.		
ONE PLACE (.5)				09157						
TWO PLACE (.05)				DRAWN 1/2/81 S.E.M.		TITLE		THERMOWELL		SCALE
THREE PLACE (.005)				CHECK 1/10/86 K.L.S.		DRAWING NO.		51286-15		FULL
										SIZE
				BEC CONTROLS CORP.						A
				Davenport, Iowa 52808		THIS DRAWING SUPERSEDES DRAWING NO.				