



CURRENT to PRESSURE TRANSDUCER, (I/P)

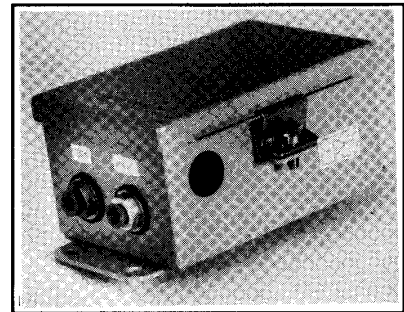
PNEUMATIC INTERFACE

SERIES E-275 (4-20mA, or 2-10vdc 2-Wire to 3-15 PSI)

DESCRIPTION:

The Bec E-275 Current to Pressure Transducer accepts either a 4-20mA or a 2-10vdc analog input signal to provide a linear output of 3-15 PSI.

The E-275 is available with self adhesive card guides, Nema-4 weatherproof metal enclosure or mounted in an explosion-proof housing.



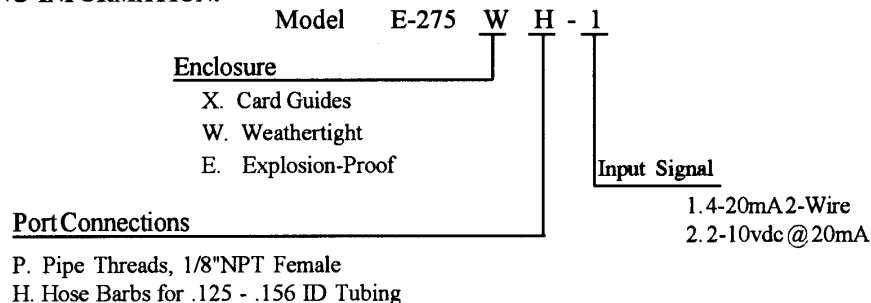
DESIGNED FOR:

Various Pneumatic 3-15 PSI (or 15-3 PSI) controls requiring activation or signal provided by a programmable controller or micro-processor.

SPECIFICATIONS:

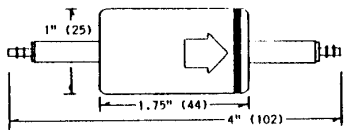
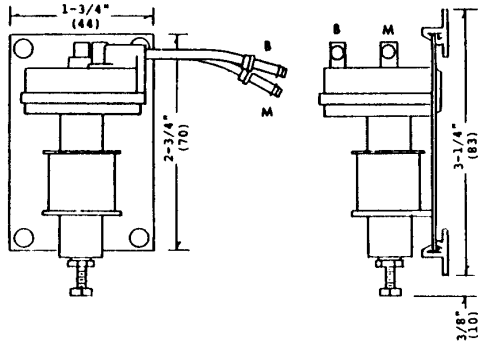
Input Signal	4-20mA, or 2-10VDC @ 20mA
Input Impedance	500 ohms
Output Signal	3-15 PSI
Adjustments	None
Air Supply	20 PSI, 30 PSI Max.
Air Consumption	.008 scfm @ 15 PSI
Air Capacity	16 scim
(For Sizing Air Mains)	
Temperature:	
Operating	-20 to +140°F (-29 to 60°C)
Storage	-40 to +160°F (-40 to 71°C)
Humidity	5 to 95% RH Non-Condensing
Zero/Span Adjustment	Factory Set
Linearity	± 1% of Span
Hysteresis	.75% of Span
Port Connections	1/8"NPTF or Hose Barbs
Dimensions	See Dimensional Drawing
Wiring Connections	Terminal Screws

ORDERING INFORMATION:



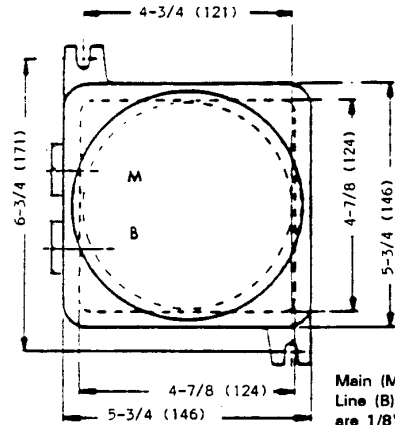


CARD-GUIDE MOUNTING
4-20mA or 2-10VDC @20mA

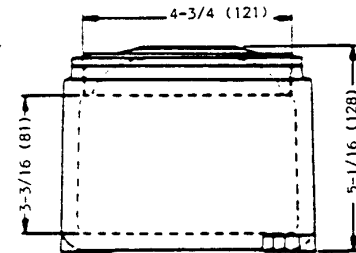


FILTER INCLUDED
To Provide Clean Air to Main (M)
Port Connection of I/P Transducer
BEC P/N E-275FL
(For Replacements)
Hose Barbs on Transducer
and Filter are sized for
.125 ID Vinyl Tubing

EXPLOSION-PROOF MOUNTING
4-20mA or 2-10VDC @20mA



Main (M) and Branch
Line (B) Port Fittings
are 1/8" NPT Female



WEATHERTIGHT MOUNTING
(Nema-4 Enclosure)

