



TEMPERATURE TRANSDUCER WALL, DUCT, IMMERSION, AVERAGING, OUTSIDE SERIES T-321 (4-20 mA, 2 wire/ 0-5, 1-10v DC, 3 wire)

DESCRIPTION:

The BEC T321 Series analog output temperature transducers-transmitters are configured for various mounting arrangements.

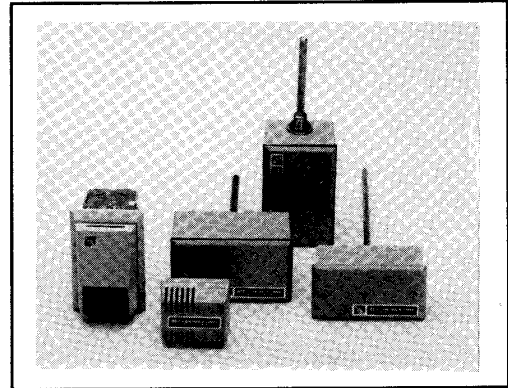
The sensing element may be specified as 100 ohm platinum, 1000 ohm platinum or LM series semiconductor.

Enclosures are compatible with various mounting style requirements.

Standard temperature ranges are shown in "Ordering Information" with optional ranges available.

Applications include:

- * Automation Computer Systems
- * Analog Monitoring Equipment



- *Energy Management Computer Systems
- *Process Control Computer Systems

SPECIFICATIONS:

Output:	4-20 mA (2 wire) 1-5v DC (3 wire) 0-5, 0-10v DC (3 wire)	Accuracy:	+/- 0.5° F @ 70° F
Sensor Type:	100, 1000 ohm platinum or LM Series semiconductor	Linearity Error:	1.0% of span
Power:	20-35v DC (platinum) 12-35v DC (semiconductor) 24 VDC	Input Voltage Effect:	+/- .005% / v (12-35vdc)
Temperature Range:		Min. Load Resistance:	1-5v DC 1K ohm 0-5v DC 1K ohm 0-10v DC 2K ohm
Operating	+32° to 160° F	Max. External Load:	125 ohms @ 12v DC 250 ohms @ 20v DC 500 ohms @ 24v DC 1000 ohms @ 30v DC
Storage	-40 to 180 F	RFI Rejection:	Not susceptible under normal conditions
Repeatability:	+/- 0.3° F		

ORDERING INFORMATION

MODEL T321

MOUNTING

- A. Wall/Space
- B. Duct
- C. Immersion
- D. Duct Averaging
- E. Outside

ENCLOSURE

- S. Wall/Space
- U. Steel Elec. Utility Box
- W. Waterproof Enclosure

SENSING ELEMENT

- 1A. 100 ohm Platinum
- 2A. 1000 ohm Platinum
- 4. LM 34
- 5. LM 335

POWER

- A. 24v DC
- B. 24v DC
- D.

PROBE LENGTH

- 4" (Stainless)(Duct, Immersion)
- 6" (Stainless)(Duct, Immersion)
- 8" (Stainless)(Duct, Immersion)
- 12" (Aluminum)(Duct, Immersion)
- 8" (Aluminum)(Averaging)
- 12' (Aluminum)(Averaging)
- 24' (Aluminum)(Averaging)

TEMP. RANGES

- A. +40° to 90° F
- B1. -40° C to +120 F
- C1. +25° to +125° F
- E1. +50° to +250° F

OUTPUT

- 1. 4-20 mA, 2 wire
- 2. 1-5v DC, 3 wire
- 6. 0-5v DC, 3 wire
- 7. 0-10v DC, 3 wire

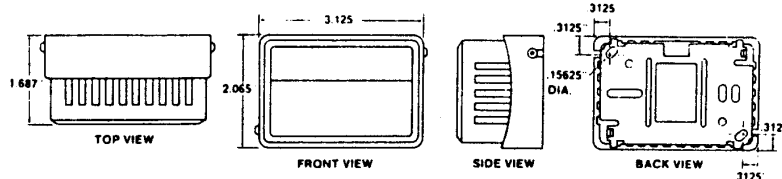




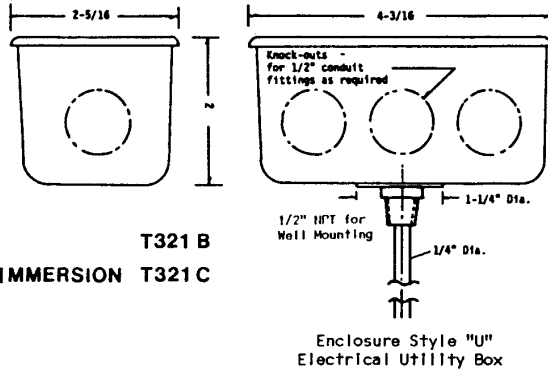
SERIES T-321 TRANSDUCER, TEMPERATURE

MOUNTING CONFIGURATIONS:

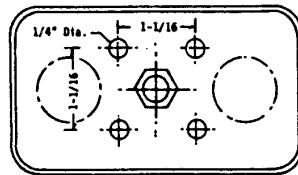
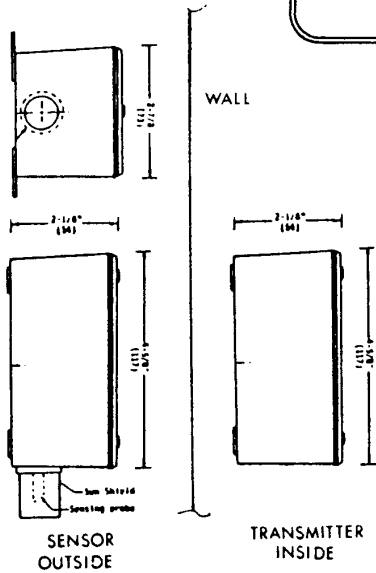
WALL/SPACE T321 A
(Enclosure Style "S")



DUCT WELL/IMMERSION T321 C

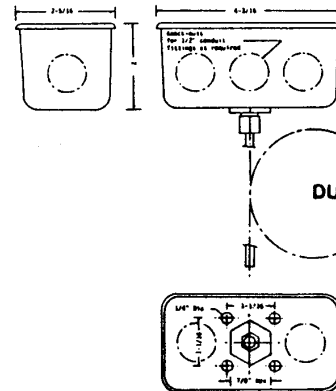


OUTSIDE T321 E

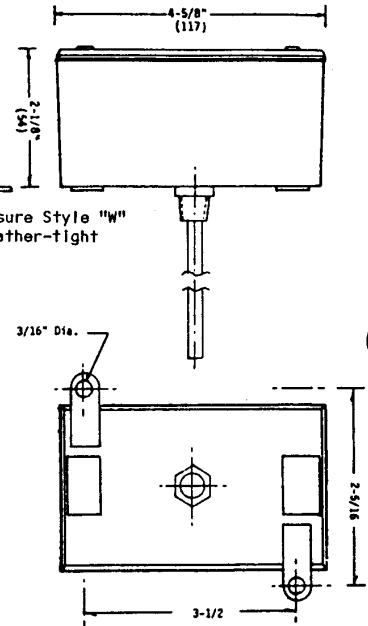


Enclosure Style "U"
Electrical Utility Box

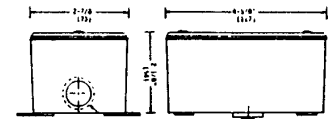
Enclosure Style "U"
Electrical Utility Box



Enclosure Style "W"
Weather-tight



Enclosure Style "W"
Weather-tight



DUCT AVERAGING T321 D

