



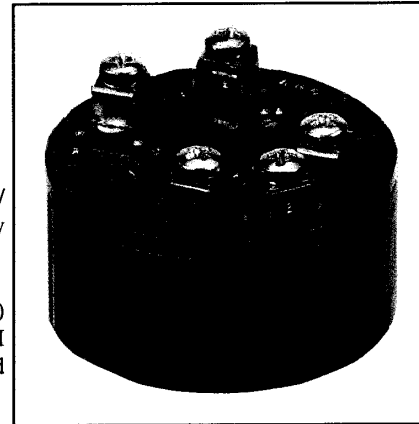
THERMOCOUPLE/RTD TRANSMITTER (Factory Scaled)

MODEL: TT-721/P-721 2 Wire - Head Mounted

DESCRIPTION:

The 721 Series 2-wire temperature transmitters offer the most effective price/performance ratio in the industry. Factory calibrated for fixed range operation, they can be used with industry-standard small connection heads.

Precision 20-turn potentiometers allow fine adjustment of ZERO and SPAN. P721 (RTD) units are completely linearized. TT721 (Thermocouple) units are voltage linear. RFI tested to rugged SAMA PMC 33-1 standard. Other thermocouple ranges and calibrations are available. See standard range table.



SPECIFICATIONS:

Vnom=24 VDC Tamb=25°C
Spannom:P721 (RTD) = 100°C, T/C=250°C

721 SERIES (GENERAL)

Output 4-20mA 2 Wire
Power Supply 10-36 VDC, Polarity Protected
Zero Drift ± 0.05 %/°C
Span Drift ± 0.05 %/°C
Supply Voltage Effect ± 0.01 %/V
Load Capability Vbat-10V
20mA

Ambient Temperature -20 to +70°C (-4 to +160°F)
Storage Temperature -20 to +100°C (-4 to +210°F)
Zero Adjustment 20 turn potentiometer
Span Adjustment 20 turn potentiometer

INPUT 100 OHM (PRTD) @ = 0.00385 MODEL P721

Linearization ± 0.1 %
Sensor burn-out Up Scale

INPUT THERMOCOUPLE TYPE K OR J MODEL TT721

Cold Junction Drift 0.05°C/°C
Output Voltage Linear
Sensor burn-out Down Scale

MODELNUMBERING:

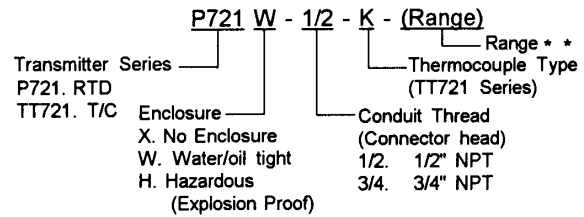
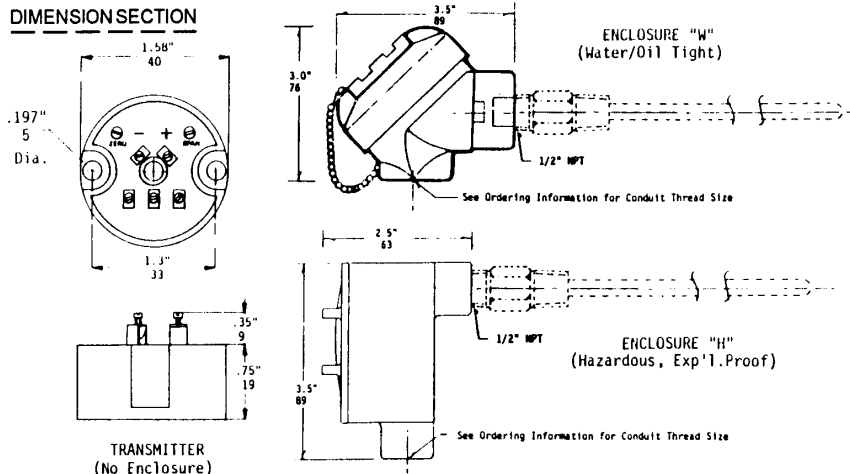


Table with 7 columns: °C, °F, 100ohm RTD, K, J, T, E. Rows list various temperature ranges from -50 to +1200.

DIMENSION SECTION



SEE BEC BULLETINS:

- B-1130 with Suffixes Thermocouples & Probes for use with above Transmitters
- 51286-15 Thermowells Protection Tubes

